



The Kat is an indoor kiosk. Available sizes are standard 12", 15", 17", 19". This unit features an upper secondary display supported by 4" wide flat bar with incognito cable pass. All indoor units are liquid splash/spill resistant.

Front access is through a secure hinged door that opens downward allowing ample space to everything. Built for low maintenance, heavy abuse. Like all of our kiosks this unit is fully expandable to accept just about any peripheral...just ask. POS Optional.

Only available in TOP: 17" or 19" LCD Size.  
BOTTOM: 12" or 15" LCD Size  
Construction: Steel 14ga(.0747")

**"Road Case and Custom Vinyl Design."**



**KIOSK DIMENSIONS**

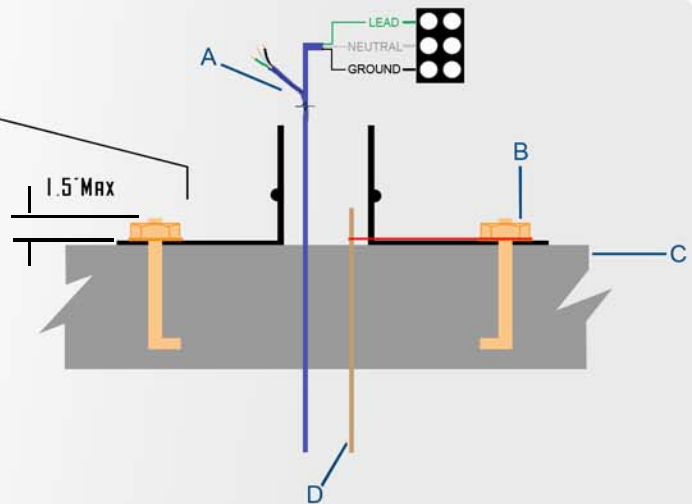




**Power Requirements**  
 - 110VAC/4.6 A, 22VAC/ 2.3A INPUT. INTERNAL 12VDC - 24VDC Universal auto-switching power supplies inside.  
 - UPS Power unit with battery backup is best placed at power source location by customer.

### Typical Installation

- B**
- A. Input power lead to be supplied by customer. See electrical handbook for length/gauge. All units are shipped with temporary power cord.
  - B. Recommendation for existing slabs/marble. Use Chemical Anchor 1/2" Foundation Bolts nuts and lock washers 4 places.
  - C. Concrete base min. 4" thick. Slab must be level/flat.
  - D. 6 Ft. Grounding Rod with copper connecting wire to 1 foundation bolt for "best" grounding.

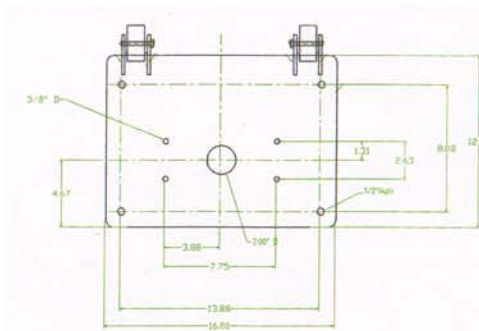


### Foundation / Base Plate

**B**

PORTRAIT

LANDSCAPE



REAR KICK WHEELS ARE OPTIONAL



REAR KICK WHEELS ARE OPTIONAL

**NOTE:** The main Power Supply Cable must be wired through a conduit jacket (min. height of 18" from top of concrete pad) This conduit jacket is passed thru the 2.0" diameter access hole located on the base plate "B". The cable must be 48" (4'-0") from top of concrete foundation pad connecting to a (3) post terminal strip, "L", "N", "Gnd" clearly marked, located on the electrical panel of your kiosk. All access holes, including bottom base holes must be completely sealed/filled with water proof material such as silicon. This installation should be performed by a Certified Electrician.