



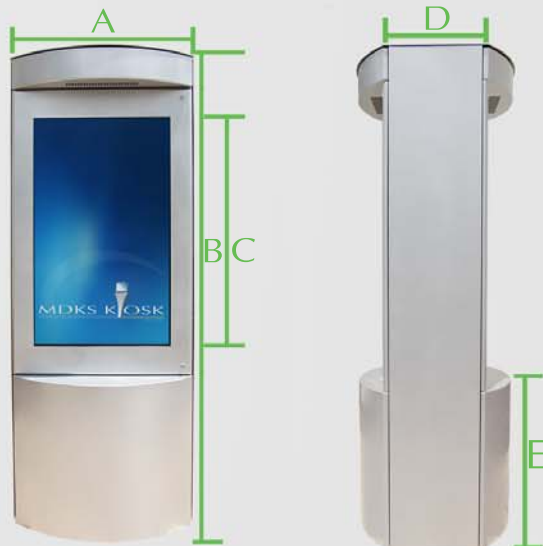
The **KCity III** Is A Dual Sided, Dual Systemed! For those whom desire the very best!

This "MADE IN THE USA" Dual Sided 46" Interactive Guide provides double the information to your area patrons. Truly sleek in elegance and design, custom colors available.

This is a Stand-Alone Outdoor Touch Screen Kiosk with wireless built in, CPU processing options for various speeds, easy access for maintenance, remote access at power level, much, much, more...

**SUNLIGHT BRIGHT:** 1000 nit, 1200 nit, 1500 nit. Sunlight Bright LCD's with an optically bonded, capacitive Tough Touch Sensor, anti-glare and vandal proof.  
**NOTE: DO NOT face directly east or west.**

### KIOSK DIMENSIONS



Size	42	46	55	65
A		29.27		
B		85.50		
C		46.00		
D		15.10		
E		27.25		



### Power Requirements

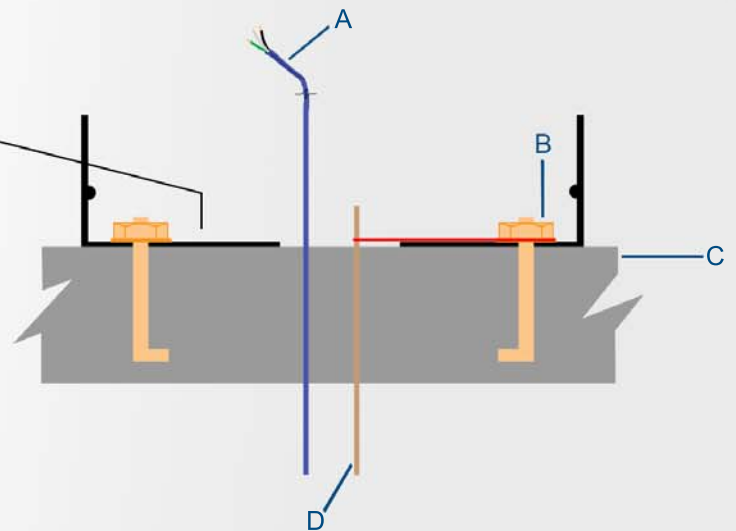
- 120/240 VAC / 10 Amp. 12VDC - 24VDC Universal auto-switching power supplies inside.
- UPS Power unit with battery backup is best placed at power source location.

## Typical Installation

**B**



- A. Power lead in to be supplied by customer. See electrical handbook for length/gauge.
- B. Recommendation for existing slabs/marble. Use Chemical Anchor 1/2" Foundation Bolts nuts and lock washers 4 places.
- C. Concrete base min. 4" thick. Slab must be level/flat.
- D. 6 Ft. Grounding Rod with copper connecting wire to 1 foundation bolt.

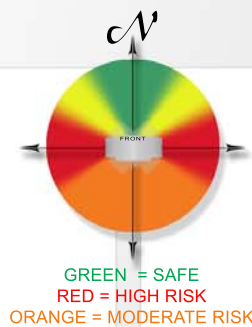
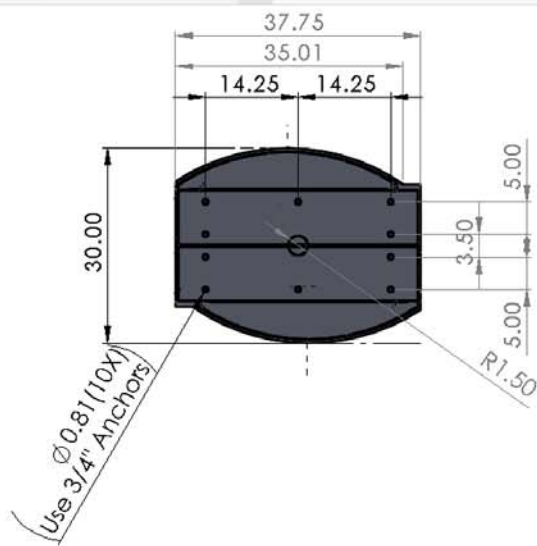


## Foundation / Base Plate

**B**

**DUAL SIDED**

**SINGLE SIDED**



NOTE: The main Power Supply Cable must be wired through a conduit jacket (min. height of 18" from top of concrete pad) This conduit jacket is passed thru the 3.0" diameter access hole located on the base plate "B". The cable must be 48" (4'-0") from top of concrete foundation pad connecting to a (3) post terminal strip, "L", "N", "Gnd" clearly marked, located on the electrical panel of your kiosk. This installation should be performed by a Certified Electrician.